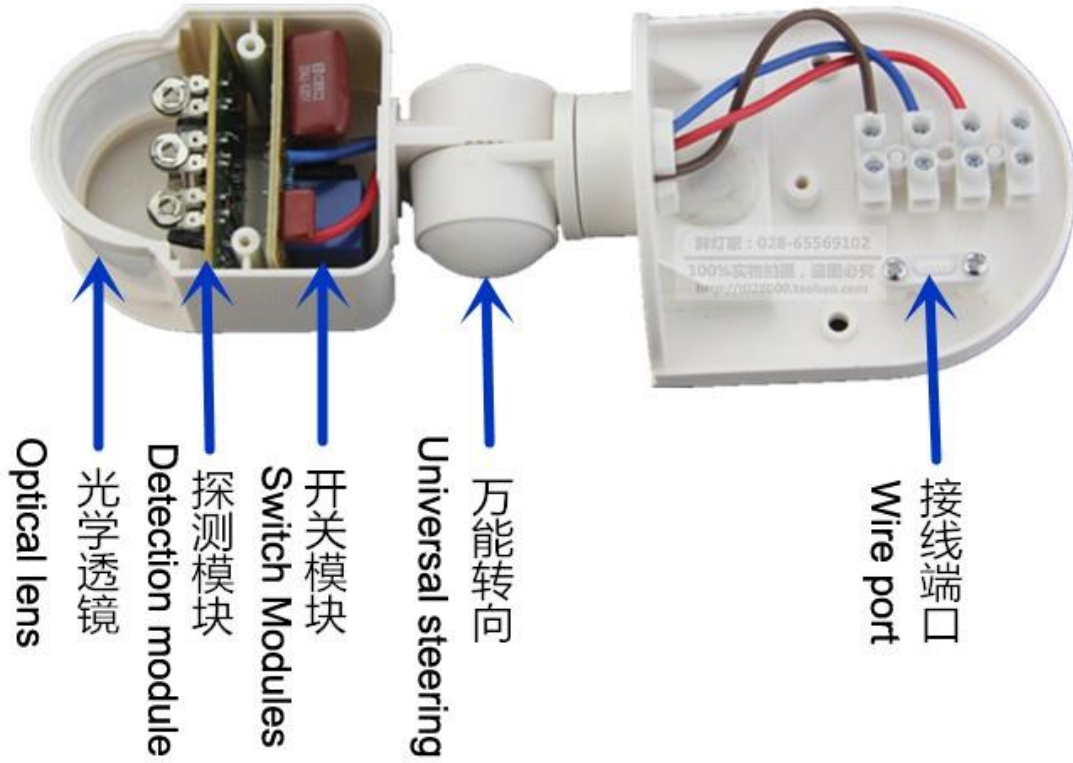


感应头调整

The inductive head adjustment



内部构造 Internal structure



外形尺寸



Sensor head can be up and down and left and right (up and down 90 degrees, about 160 degrees) can move rotate, increase the angle sensorProduct body waterproof and dustproof, can be used indoors and outdoors