

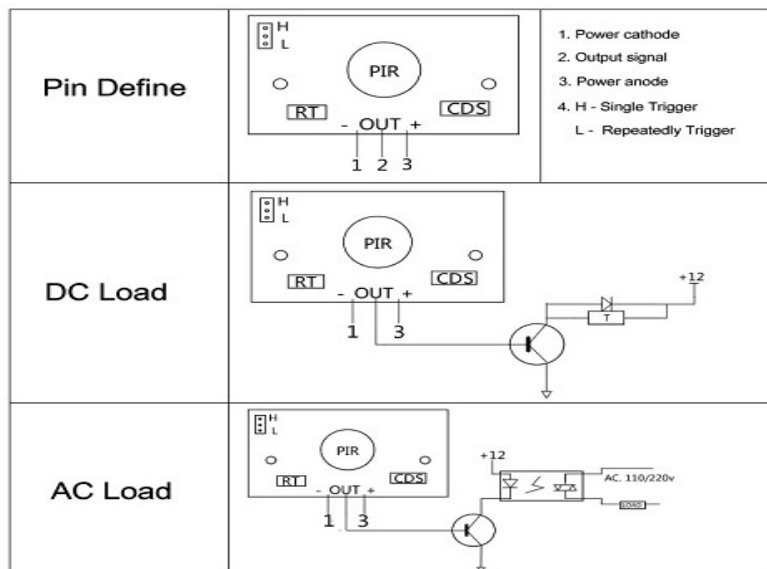
RB-Ite-116 Adjustable PIR Motion Sensor



Highly integrated module popularly used for entry detection, it complies with microcontroller or DC loads.

Advantage:

- Simple, easy to adopt in system
- There are two adjustable potentiometer on the module, you can use them to change the trigger sensitivity and the duration of the trigger signal.



Specification

- Input Voltage: DC 4.5-20V
- Static current: 50uA
- Output signal: 0,3V or 5V (Output high when motion detected)
- Sentry Angle: 110 degree
- Sentry Distance: max 7 m
- Shunt for setting override trigger: H - Yes, L – No
- Module Type: Sensor
- Weight: 15.00g
- Board Size: NULL
- Version: 1.0
- Operation Level: Digital 5V
- Power Supply External: 5V